

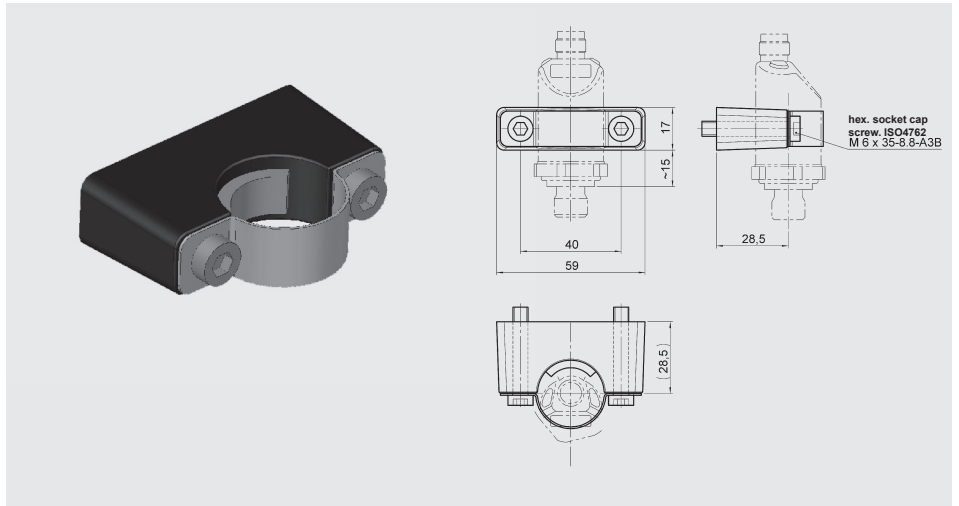
## Mounting accessories, device-specific EDS 8000, HDA 8000; EDS 810

### ZBM 8000

Clamp for wall-mounting  
- screw-type fitting -

(Material of lower section:  
TPE Santoprene 10187;  
Material of top section:  
Steel strip DIN 95381-1.4571)

Part No.: 3546755



### ZBM 8100

Clamp for wall-mounting  
- weld-type fitting -

(Material of welding bridge:  
QSTE340TM, zinc coating  
EN 12329 FE/ZN8/B;  
Material of lower section:  
TPE Santoprene 10187;  
Material of top section:  
Steel strip DIN 95381-1.4571)

Part No.: 3546757

